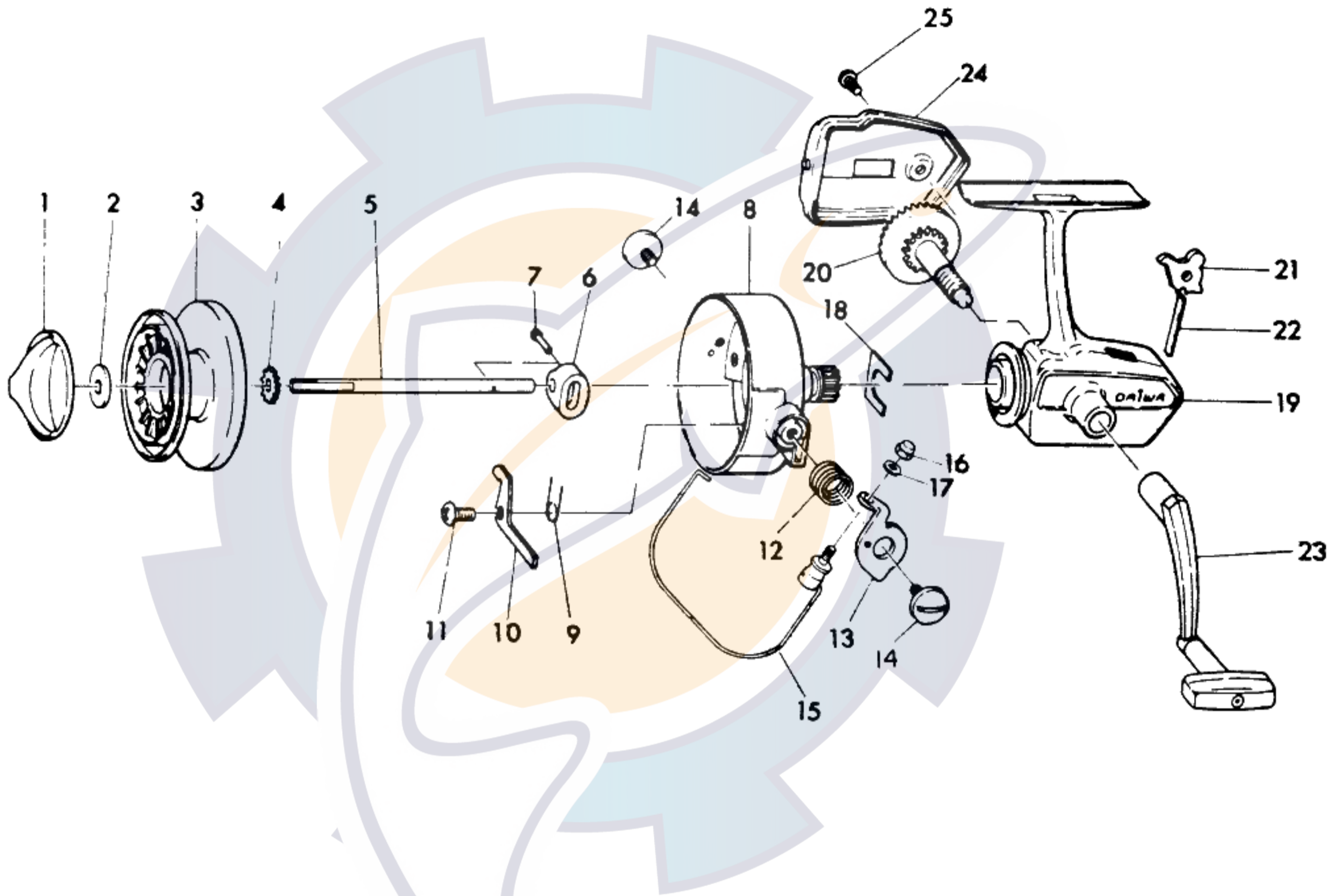
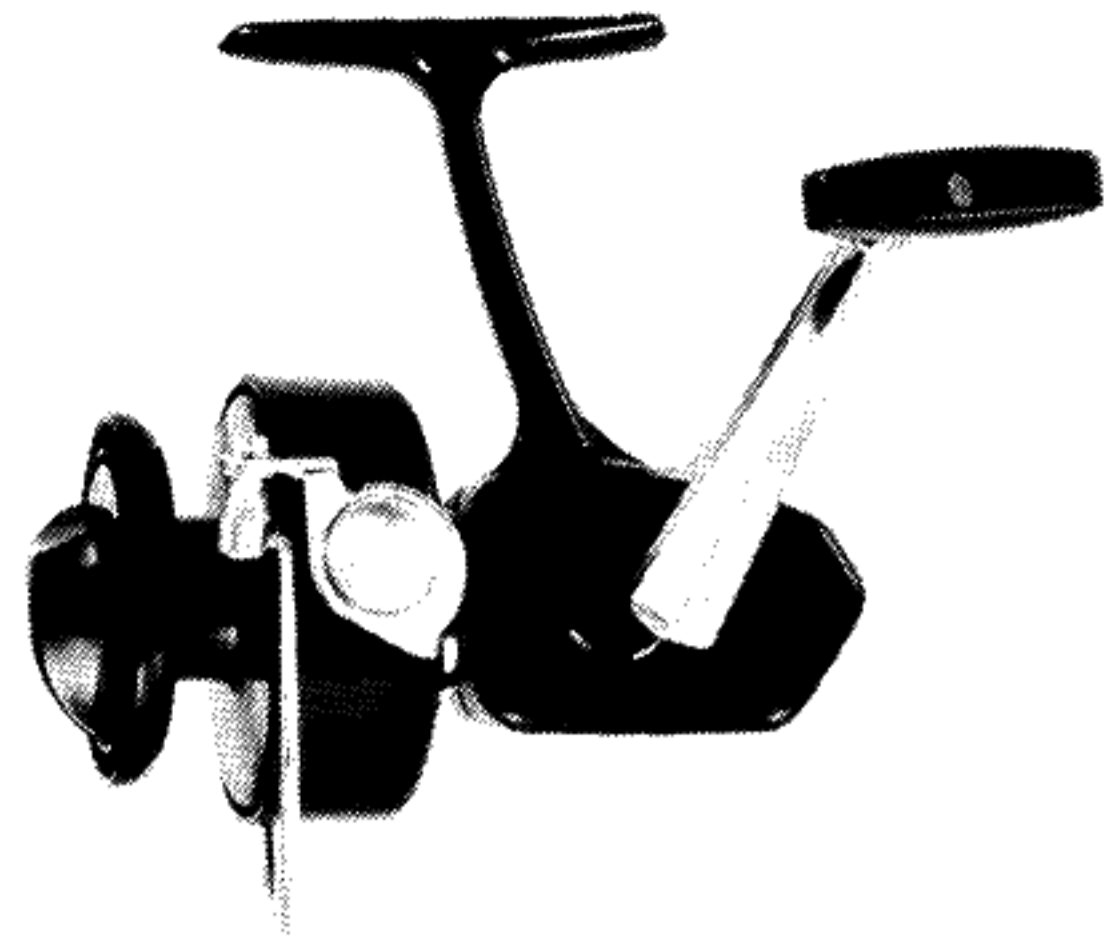




DAIWA
CORPORATION CALIF

SPINNING REEL **7280A**



LINE CAPACITY : 200 YDS., 8 LB. TEST

Key No.	Parts No.	Parts Name	Key No.	Parts No.	Parts Name	Key No.	Parts No.	Parts Name
1	440 9521 (4495)	Drag knob	10	570 6501 (5765)	Bail kick lever	18	632 4011 (63240-1)	Pinion retainer
2	372 8711 (37287 1)	Spool washer	11	352 1101 (35211)	Bail kick lever screw	19	191 5301 (19153)	Body
3	002 7711 (A00277)	Spool	12	140 9221 (1492a-1)	Bail spring	20	411 7001 (41170)	Drive gear
4	270 2801 (2728)	Main shaft click	13	230 7921 (2379)	Arm lever	21	110 4711 (1147)	Anti-reverse claw
5	391 8601 (39186)	Main shaft	14	634 0401 (63404)	Arm lever screw	22	150 6201 (1562)	Anti-reverse claw spring
6	480 5101 (4851)	Oscillating slider	15	007 9001 (A00790)	Bail	23	009 0401 (A00904)	Handle
7	490 4411 (4944)	Oscillating slider pin	16	361 6601 (36166)	Bail nut	24	007 9101 (A00791)	Body cover
8	201 0501 (20105)	Rotor	17	341 0801 (34108)	Bail washer	25	352 2501 (35225)	Body cover screw
9	142 5711 (14257)	Bail kick lever spring						